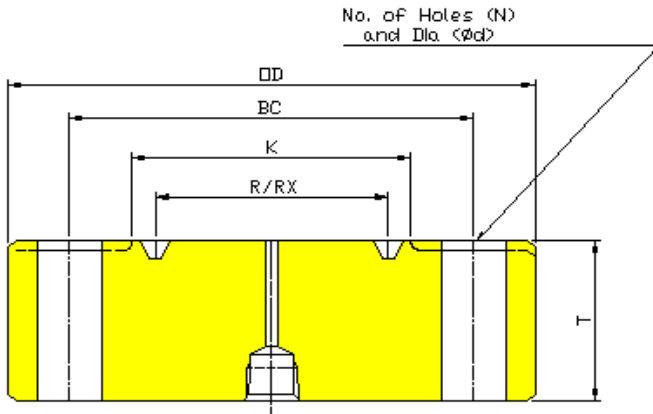




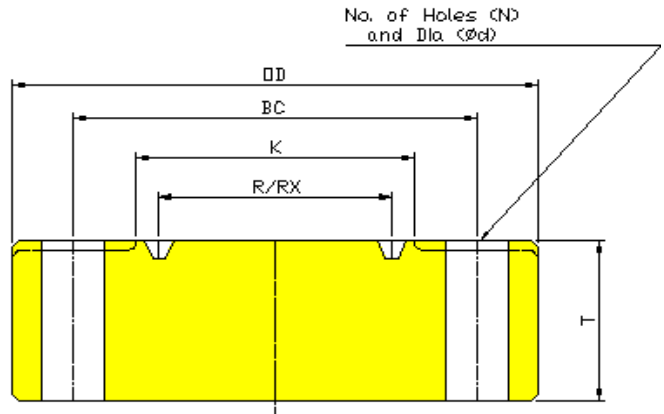
# SANKALP FORGINGS PVT. LTD.

Gat No. : 1039/1, & 1093/2, Chakan-Shikrapur Road, Karandi, Tal -Shirur, Dist- Pune - 412 208, Maharashtra, India

## FLANGES (AS PER API 6A)



**TEST FLANGE**



**BLIND FLANGE**

2000 PSI WP WITH R OR RX RING GROOVE							
SIZE	OD	Øk	T	BC	N	Ød	R/Rx
2-1/16	6.50	4.25	1.31	5.00	8	0.75	23
2-9/16	7.50	5.00	1.44	5.88	8	0.88	26
3-1/8	8.25	5.75	1.56	6.62	8	0.88	31
4-1/16	10.75	6.88	1.81	8.50	8	1.00	37
5-1/8	13.00	8.25	2.06	10.50	8	1.12	41
7-1/16	14.00	9.50	2.19	11.50	12	1.12	45
9	16.50	11.88	2.50	13.75	12	1.25	49
11	20.00	14.00	2.81	17.00	16	1.38	53
13-5/8	22.00	16.25	2.94	19.25	20	1.38	57
16-3/4	27.00	20.00	3.31	23.75	20	1.62	65
21-1/4	32.00	25.00	3.88	28.50	24	1.75	73
3000 PSI WP WITH R OR RX RING GROOVE							
2-1/16	8.50	4.88	1.81	6.50	8	1.00	24
2-9/16	9.62	5.38	1.94	7.50	8	1.12	27
3-1/8	9.50	6.12	1.81	7.50	8	1.00	31
4-1/16	11.50	7.12	2.06	9.25	8	1.25	37
5-1/8	13.75	8.50	2.31	11.00	8	1.38	41
7-1/16	15.00	9.50	2.50	12.50	12	1.25	45
9	18.50	12.12	2.81	15.50	12	1.50	49
11	21.50	14.25	3.06	18.50	16	1.50	53
13-5/8	24.00	16.50	3.44	21.00	20	1.50	57
16-3/4	27.75	20.62	3.94	24.25	20	1.75	66
21-1/4	33.75	25.50	4.75	29.25	20	2.12	74
5000 PSI WP WITH R OR RX RING GROOVE							
2-1/16	8.50	4.88	1.81	6.50	8	1.00	24
2-9/16	9.62	5.38	1.94	7.50	8	1.12	27
3-1/8	10.50	6.62	2.19	8.00	8	1.25	35
4-1/16	12.25	7.62	2.44	9.50	8	1.38	39
5-1/8	14.75	9.00	3.19	11.50	8	1.62	44
7-1/16	15.50	9.75	3.62	12.50	12	1.50	46
9	19.00	12.50	4.06	15.50	12	1.75	50
11	23.00	14.63	4.69	19.00	12	2.00	54