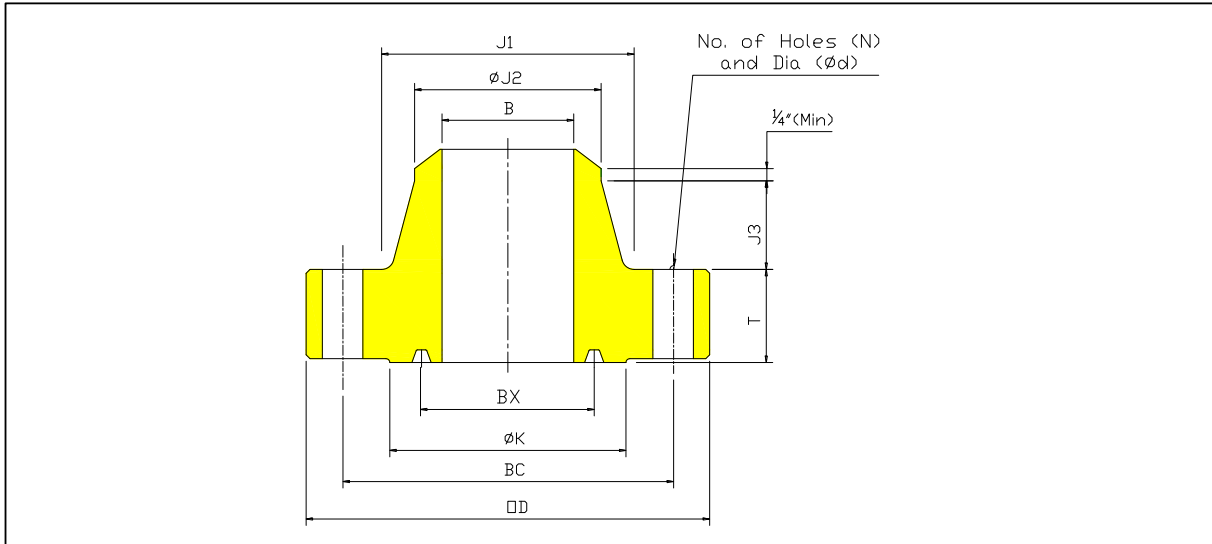




SANKALP FORGINGS PVT. LTD.

Gat No. : 1039/1, & 1093/2, Chakan-Shikrapur Road, Karandi, Tal -Shirur, Dist- Pune - 412 208, Maharashtra, India

FLANGES (AS PER API 6A)



WELD NECK FLANGE

10000 PSI WP WITH BX RING GROOVE									
SIZE	OD	T	ØK	BC	N	Ød	ØJ2	J3	BX
1-13/16	7.38	1.66	4.12	5.75	8	0.88	2.56	1.91	151
2-1/16	7.88	1.73	4.38	6.25	8	0.88	2.94	2.03	152
2-9/16	9.12	2.02	5.19	7.25	8	1.00	3.62	2.25	153
3-1/16	10.62	2.30	6.00	8.50	8	1.12	4.34	2.50	154
4-1/16	12.44	2.77	7.28	10.19	8	1.25	5.75	2.88	155
5-1/8	14.06	3.13	8.69	11.81	12	1.25	7.19	3.19	169
7-1/16	18.88	4.06	11.88	15.88	12	1.62	10.00	3.75	156
9	21.75	4.88	14.12	18.75	16	1.62	12.88	3.69	157
11	25.75	5.56	16.88	22.25	16	1.88	15.75	4.06	158
13-5/8	30.25	6.62	20.38	26.50	20	2.00	19.50	4.50	159
16-3/4	34.31	6.62	22.69	30.56	24	2.00	23.69	3.00	162
15000 PSI WP WITH BX RING GROOVE									
SIZE	OD	T	ØK	BC	N	Ød	ØJ2	J3	BX
1-13/16	8.19	1.78	4.19	6.31	8	1.00	2.81	1.88	151
2-1/16	8.75	2.00	4.50	6.88	8	1.00	3.25	2.12	152
2-9/16	10.00	2.25	5.25	7.88	8	1.12	3.94	2.25	153
3-1/16	11.31	2.53	6.06	9.06	8	1.25	4.81	2.50	154
4-1/16	14.19	3.09	7.62	11.44	8	1.50	6.25	2.88	155
7-1/16	19.88	4.69	12.00	16.88	16	1.62	10.88	3.62	156
20000 PSI WP WITH BX RING GROOVE									
SIZE	OD	T	ØK	BC	N	Ød	ØJ2	J3	BX
1-13/16	10.12	2.50	4.62	8.00	8	1.12	4.31	1.94	151
2-1/16	11.31	2.81	5.19	9.06	8	1.25	5.00	2.06	152
2-9/16	12.81	3.12	5.94	10.31	8	1.38	5.69	2.31	153
3-1/16	14.06	3.38	6.75	11.31	8	1.50	6.31	2.50	154
4-1/16	17.56	4.19	8.62	14.06	8	1.88	8.12	2.88	155
7-1/16	25.81	6.50	13.88	21.81	16	2.12	13.31	3.81	156